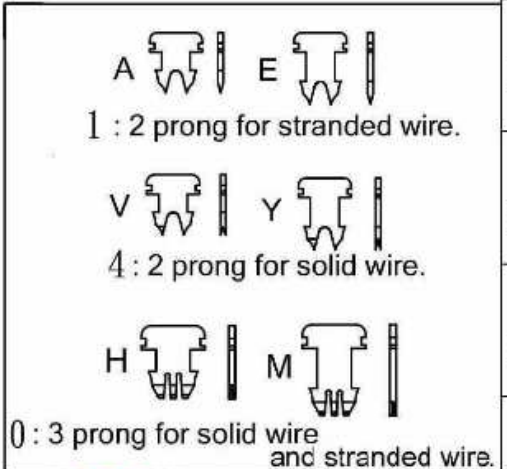
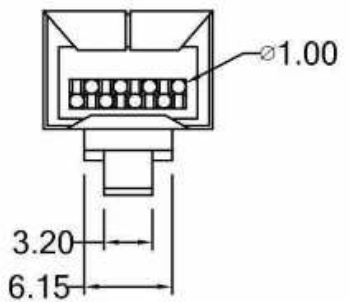
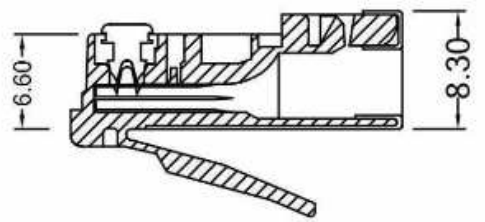
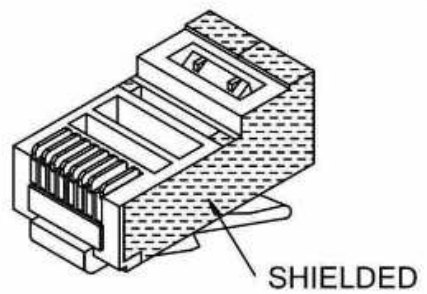
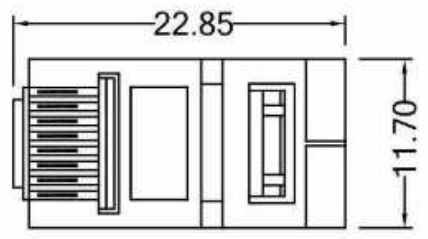


Shielded  
2 Row



**MATERIAL & FINISH**

Body: Polycarbonate, UL94V-2, clean  
Terminal: 0.35 mm thickness copper alloy, underplated with 100 uin Nickel, and plated with selective Gold in contact region and gold flash on remainder of terminal.

**SPECIFICATION:**

Voltage : 125 VAC  
Current : 1.5 A  
Contact Resistance : 30 milliohms max.  
Insulation Resistance : 500 megaohms min.  
Dielectric Withstanding Voltage : 1000 VAC

RoHS  
Compliant

**Ninigi**

APPRO. 核准	SCALE 比例 参考	TOLERANCE 容許公差	PART NAME 品名
DWG. 圖號 HELEN		0 ± 0.1 100 * ANG. *	
DATE 日期 2011/9/9	UNIT 單位 MM	SIZE 板框尺寸 A4	PART NO. 料號 RJ45WE-CAT6U
	PAGE 張數 1 OF 1	REV. 版本 A	